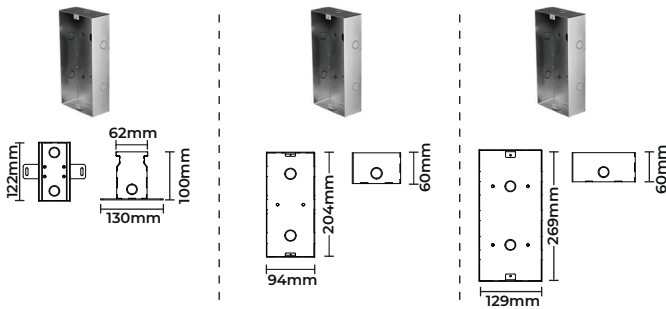


Mounting Sleeve:



Applications:

Staircases, steps, lobby, reception, corridors, pedestrian ramps, walkways, architectural structures, building vicinity, yard, garden etc.



Disclaimer:

LuxeLED All rights reserved. LuxeLED does not give any representation or warranty as to the accuracy or completeness of the information included herein and shall not be liable for any action in reliance thereon. The information presented in this document is not intended as any commercial offer and does not form part of any quotation or contract, unless otherwise agreed by LuxeLED.

Key Information

Shape	Rectangle
Mounting Type	Recessed
Mounting Location	Wall
LED Type	COB LED
Power	7W 12W 18W
CCT(K) Options	3000K 4000K 5000K
Luminous Efficacy	45-62lm/W
CRI	>85
Lifespan	50,000 hours(L70 B30 @35°)

Physical

Housing	Stainless steel (SUS 316#)
Housing Finish	Electrostatic powder coating
Housing Color	Sanded Electrolysis SUS - Standard
Front Cover	Stainless Steel 304
Diffuser	Tempered glass
Gasket	Tooling shaped seal
Power Cable (Outside of Luminaire)	240VAC: H05RN-F 3x1.0mm ² , L=0.5m 24VDC: H05RN-F 2x1.0mm ² , L=0.5m
Mounting Sleeve Material	Stainless steel

Environmental

Installation Environment	Outdoor
IK Rating	05
IP Rating	IP65
Operating Temperature	-20° to 50°C

Electrical

Input Current	220~240VAC 50/60Hz
Standard	On/off
Dimming Options	DALI2 0-10V (Remote)

Ordering Guide:

Product	CCT (K)	Wattage (W)	Voltage	Body Finish	Driver
FL III = Flick III	3K=3000K 4K=4000K 5K=5000K	7W	240VAC	S=Stainless	S=On/Off
		12W			
		18W			

* Please choose wattages from same color box matching respective product.

Product Code	Wattage	CCT	Lumens	Dimensions (mm)
FL III-3K-7W-240VAC-S-S	7W	3000K	398lm	155 X 76 X 65
FL III-3K-12W-240VAC-S-S	12W	3000K	550lm	220 X 110 X 60
FL III-3K-18W-240VAC-S-S	18W	3000K	1100lm	285 X 145 X 60