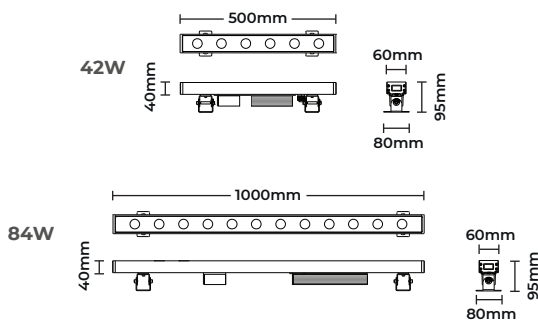
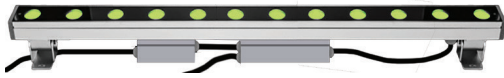
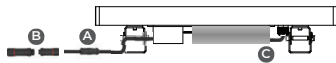




Beam Angles : 15° | 30°



### Water Proof Solution:



- A IP67 Jiffy Quick Plug /Socket Connector(Included)**  
A IP67 water-stopper is added in the end of luminaires as standard assembly which is also an important system for water resistant.
- B IP67 Jiffy Quick Plug /Socket Connector(Optional)**  
A IP67 connector is as an optional assembly and ensures that water vapor will not enter into luminaires directly.
- C High voltage driver IP65**

### Applications:

Building facades, entrances, interior/exterior walls, hidden indirect lighting applications, large structures and features

### Application Photo:



### Key Information

Shape	Linear
Mounting Type	Surface / Wall mounted
LED Type	LED SMD Module
Power Options	42W(500mm)   84W(1000mm)
CCT(K) Options	RGBW
Luminous Efficacy	33-45lm/W
LED Wavelength	R=620-630nm G=520-530nm B=460-470nm W=6000K
Lifespan	50,000 hours(L90 B10 @35°)

### Physical

Housing	Extruded aluminium, anodized finish
Bracket	Aluminium anodized finish
Diffuser	Tempered glass . T=2mm
Lens	PMMA, efficiency ≥ 85%
Gasket	Glass and housing are silicone sealed
Power Cable (Outside of Luminaire)	Outside of luminaire H07RN-F 2x1.0+3x0.5mm <sup>2</sup> , L=0.5m
Cable Gland	IP68 PG-13.5 PA66

### Environmental

Installation Environment	Indoor and Outdoor
IK Rating	05
IP Rating	IP65
Operating Temperature	-20° to 55°C

### Electrical

Input Voltage	220-240VAC 50/60Hz
Class Rating	Class I
Control Options	DMX512 / RDM

### Ordering Guide:

Product	CCT (K)	Wattage (W)	Beam Angle(°)	Length (mm)	Control
MA Mag	RGBW	42W	15°   30°	500mm	RDM
		84W		1000mm	

\* Please choose wattages, beam angles and length from same color box matching respective product.

Product Code	Wattage	CCT	Lumens	Dimensions (mm)
MA-RGBW-42W-30°-500mm-RDM	42W	RGBW	2452lm	500 x 60 x 95mm
MA-RGBW-84W-30°-1000mm-RDM	84W	RGBW	4254lm	1000 x 60 x 95mm

